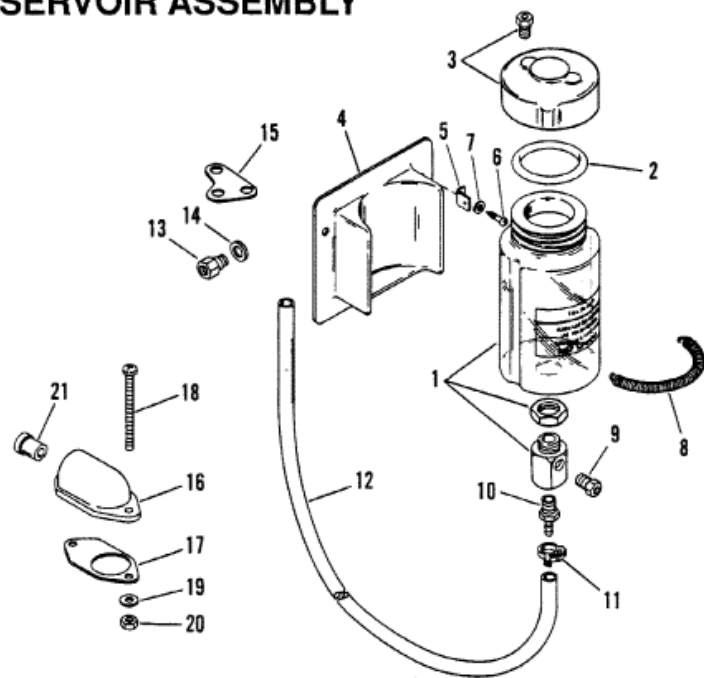


OIL RESERVOIR ASSEMBLY



| Parts List | | | | | | |
|------------|-------|-----------|----------------------------|-----|---------|----------|
| Ref | Class | Part | Description | Qty | Comment | Footnote |
| - | | 69622A 7 | OIL RESERVOIR ASSEMBLY | 1 | | |
| 1 | | 69622A12 | BOTTLE ASSEMBLY | 1 | | |
| 2 | 27 | 69620 | GASKET | 1 | | |
| 3 | 21 | 67909A 2 | VALVE ASSEMBLY | 1 | | |
| 4 | | 67896 | BRACKET | 1 | | |
| 5 | | 67905 | RETAINER | 2 | | |
| 6 | 10 | 22793 | SCREW (7/8") | 3 | | |
| 7 | 12 | 58198 | WASHER | 3 | | |
| 8 | 24 | 67908 | SPRING | 1 | | |
| 9 | 22 | 32802 | PIPE PLUG | 1 | | |
| 10 | 22 | 67902 | FITTING | 1 | | |
| 11 | 54 | 815504104 | CLAMP | 1 | | |
| 12 | | 67898 | HOSE (WITHOUT METAL BRAID) | AR | | 6 |
| 12 | 32 | 97552 | HOSE (WITH METAL BRAID) | AR | | 6 |
| 13 | 22 | 98278 | ADAPTOR | 1 | | |
| 14 | 12 | 19183 | WASHER | 1 | | |
| 15 | | 67907 | BRACKET (FLAT) | AR | | 6 |
| 15 | | 97551 | BRACKET (WITH 90 DEGREE B) | AR | | 6 |
| 16 | | 36081 | COVER | 1 | | |
| 17 | 27 | 36079 | GASKET | 1 | | |
| 18 | 10 | 33684 | SCREW (3") | 2 | | |
| 19 | 12 | 30971 | WASHER | 2 | | |
| 20 | 11 | 35045 | NUT | 2 | | |
| 21 | 23 | 35977 | BUSHING | 1 | | |